

# 4.5m Heavy Duty Tripod

## DESCRIPTION

This rugged steel tripod is designed for rough terrain applications. Fitted with safety interlock and hand winch mechanism. The tripod will raise up to 30Kg of head load. With the correct lighting system fitted the tripod can provide the platform for a high light output normally only achievable with a towed system. Load spreading feet are attached to steel legs to allow use of ballast bags or pegging.

## SPECIFICATIONS

- Robust steel construction
- 3 section tripod
- Fitted with DIN connector
- Heavy duty winch
- Anti-drop safety interlock
- 1 x adjustable leg for uneven surfaces
- Leg pad diameter 12cm

|                       |      |
|-----------------------|------|
| CLOSED HEIGHT         | 2.0m |
| MAXIMUM HEIGHT        | 4.5m |
| EXTENDED LEG DIAMETER | 1.9m |
| LOAD CAPACITY         | 30Kg |
| TRIPOD WEIGHT         | 21Kg |



Hand winch



DIN connector



Anti-drop safety interlock



PRODUCT CODE

**K-LITE/TRP/4.5M**

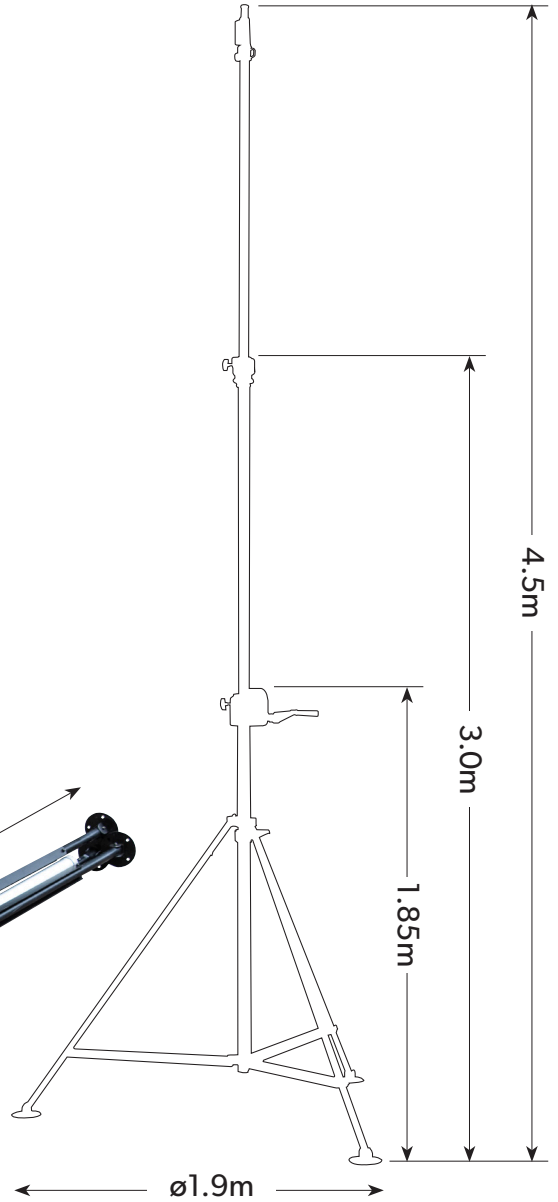
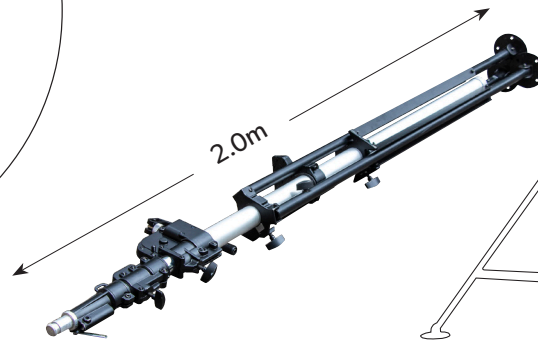
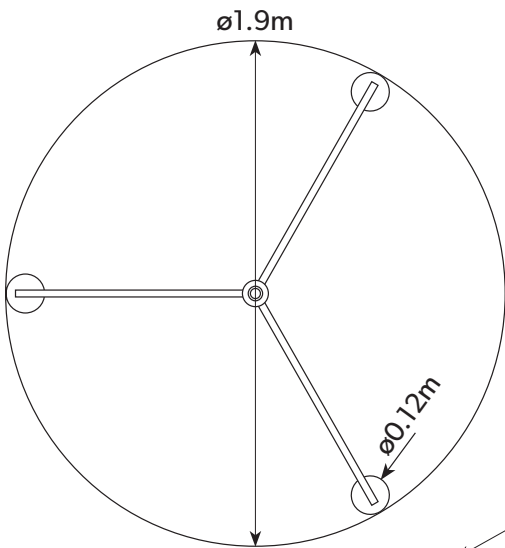
# 4.5m Heavy Duty Tripod



Adjustable leg for rough terrain



Wide footpad with pegging holes or sand bags for extra stability



## COMPATIBLE LIGHT HEADS



K20



K21



K35



K45-Lite