

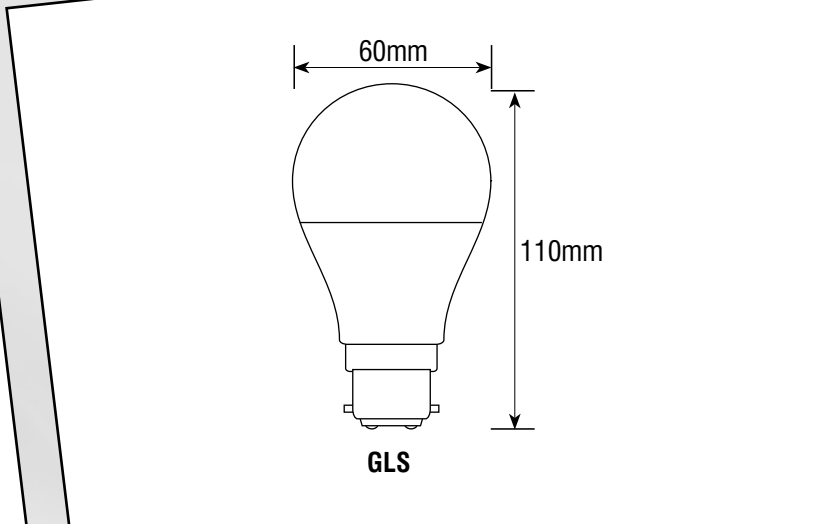


**RITELITE**  
(SYSTEMS) LTD

## DATA SHEET

# LED GLS Lamp

Available in 2700K & 6400K



A durable GLS LED lamp with a wide input voltage range of 110-240V made of a shatter resistant polycarbonate dome. It is 8.5W 806 lumens, available in two colour temperatures - warm white 2700K, and daylight white 6400K. It has an average life of 30,000 hours. It is suitable for all applications, either on site in a festoon, retail, domestic and commercial.

- Highly efficient - rated A+
- Polycarbonate lens for increased durability
- 100% instant light output
- Wide input voltage for 100-260V applications
- Average life 30,000 hours

RoHS



PRODUCT CODE	LUMENS	WATTAGE	CAP TYPE	COLOUR TEMPERATURE	DIMENSIONS
GLS/LED/8.5W/BC27	806 Lm	8.5W	BC	2700K	110 x ø60mm
GLS/LED/8.5W/ES27	806 Lm	8.5W	ES	2700K	110 x ø60mm
GLS/LED/SL/8.5W/BC64	806 Lm	8.5W	BC	6400K	110 x ø60mm
GLS/LED/SL/8.5W/ES64	806 Lm	8.5 W	ES	6400K	110 x ø60mm