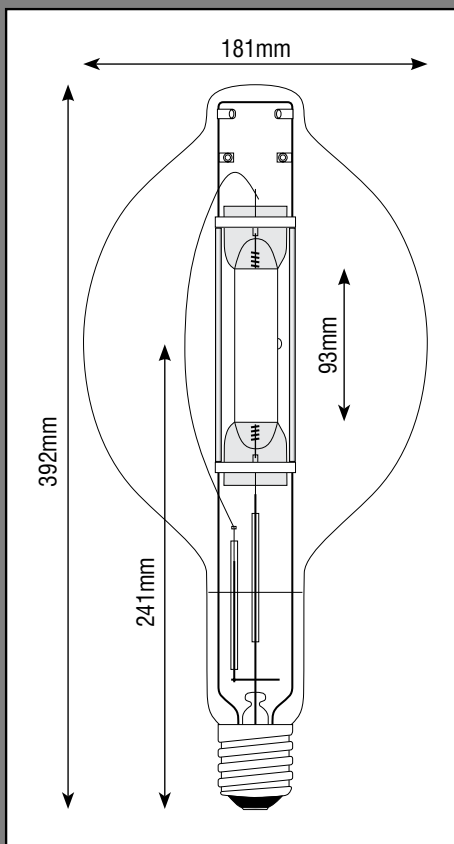


# 1000W Metal Halide Lamp



**PRODUCT CODE: MH1000W/BT56/4200K/E40**

PERFORMANCE DATA	
Light Output (Lumens/100Hrs)	110000
Lamp Lumens Per Watt	110
Mean Output (Lumens)	93500
Rated Life (Hrs. 10 Hr.1Strat)	15000
Colour Temperature (k)	4200K
Chromaticity (CIE-x/y)	0.385, 0.390
Colour Rendering Index (CRI)	65
To 90% Warm Up Time (Minutes)	3 - 5
Hot Restart Time (Minutes)	10 - 15
Burning Position	UNIVERSAL
PHYSICAL DATA/ REQUIREMENTS	
Base Designation	MOGUL (E40)
Bulb Designation	BT56
Bulb Diameter mm	ø181
Max Overall Length (MOL) mm	392 max
Light Center Length (LCL) mm	241 (±6)
Effective Arc Length mm	93
Max Base Temperature (°C)	210°C
Max Bulb Temperature (°C)	430°C
Luminaire type	Enclosed
Socket Pulse Rating (V)	
Socket Style	MOGUL
ELECTRICAL DATA/ REQUIREMENT	
Lamp Wattage (W)	1000W
Operating Voltage(V)	263V
Operating Current (Amps)	4.1A
Min. Open Circuit Voltage (RMS)	530V

For more information call the sales team on **01780 758585**